

CROVEN CRYSTALS has provided high quality and reliability products to the frequency control industry for more than fifty years and is a world leader in the development and manufacture of the highest precision quartz resonators for demanding applications.

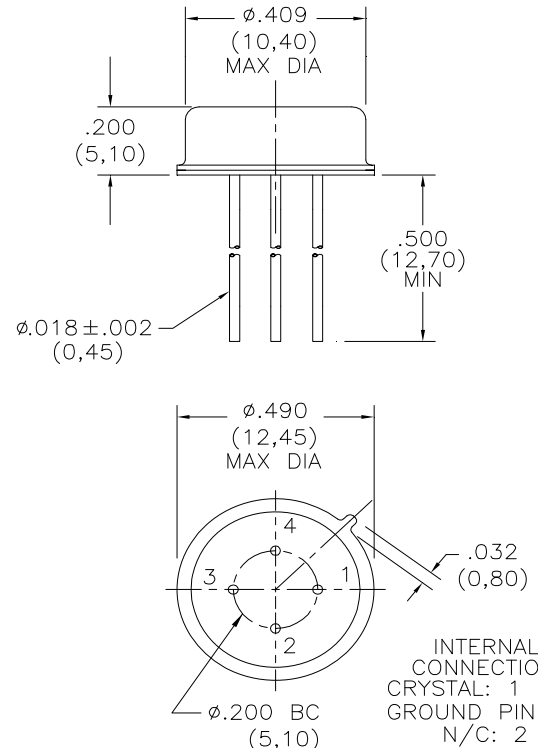
The CWLP-460 series of crystal resonators provides a broad range of frequencies and designs in a rugged, high reliability enclosure. This low profile cold weld package is available as a smaller alternative to many standard HC-37 style parts where a reduced diameter and 4-point mount are critical.

**Features:**

- 4-point internal mounting for excellent g-sensitivity and high shock and vibration applications
- cold weld sealed for **low aging** and **low phase noise** applications
- available in AT, SC and IT-cut designs
- conforms to the general requirements of MIL-PRF-3098
- RoHS compatible (if required)

**Applications:**

- precision OCXO, VCXO and TCXO oscillators
- telecommunications
- instrumentation
- military and high reliability



PARAMETER		MINIMUM	MAXIMUM	UNITS
Resonant Frequency range @ specified load conditions and temperature	Fund	3.2	18	MHz
	3rd OT	9.6	54	
	5th OT	16	90	
Operating Temperature Range		- 55	+ 125	° C

PARAMETER	STANDARD METHOD OBSERVED
Shock	MIL-STD-202 Method 213, Condition C - 100 g, 6 msec 1/2 sine
Vibration	MIL-STD-202 Method 214, Condition C, 10 g peak 55-2000 Hz
Solderability	MIL-STD-202 Method 208
Workmanship	per the general requirements of MIL-PRF-3098

**Notes:**

- 1) Consult the factory for more detailed specifications or alternate requirements.